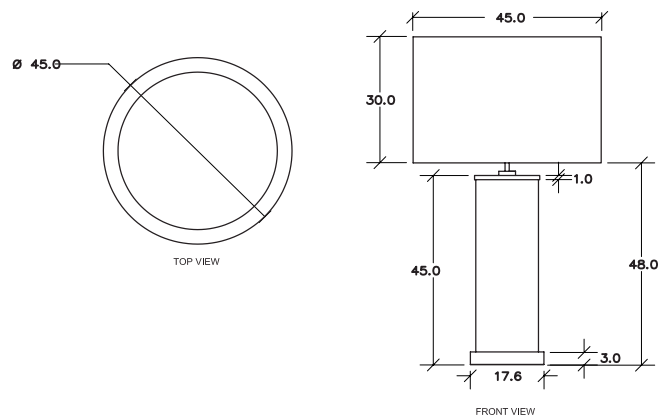


ELAN ATELIER



EARTH TABLE LAMP MUSE COLLECTION

DIMENSIONS /
DIA 45 cm (S)
H 78 cm (S)

MATERIALS /
ROCK CRYSTAL, BRONZE,
SHADE: LINEN

DIA 17.7 in (S)
H 30.7 in (S)

FINISH SHOWN /
NATURAL ROCK CRYSTAL,
ANTIQUÉ BRONZE

