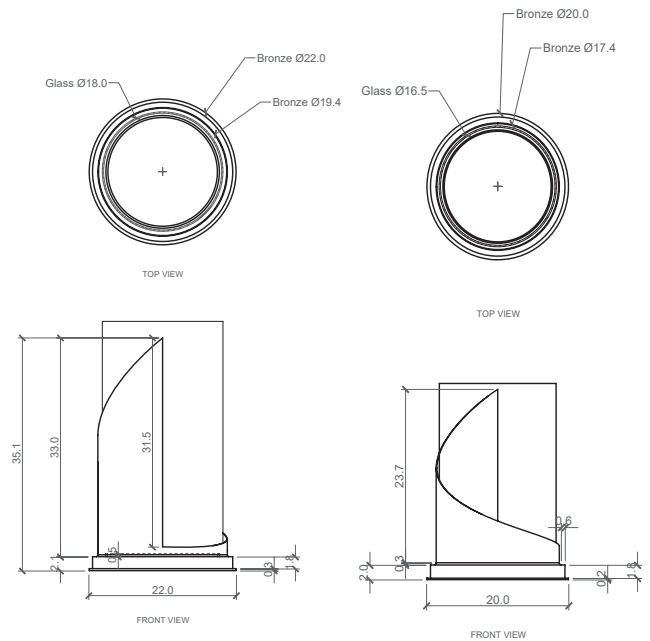


# ELAN ATELIER



**OLIVIA HURRICANE**  
(SMALL)/  
(LARGE)/  
MUSE COLLECTION

**DIMENSIONS /**

**DIA** 20 cm (S) / 22 cm (L)  
**H** 27 cm (S) / 38 cm (L)

**MATERIALS /**

BRONZE, GLASS

**DIA** 7.9 in (S) / 8.7 in (L) **STANDARD FINISH SHOWN /**  
**H** 10.6 in (S) / 15 in (L) **DARK BRONZE**

