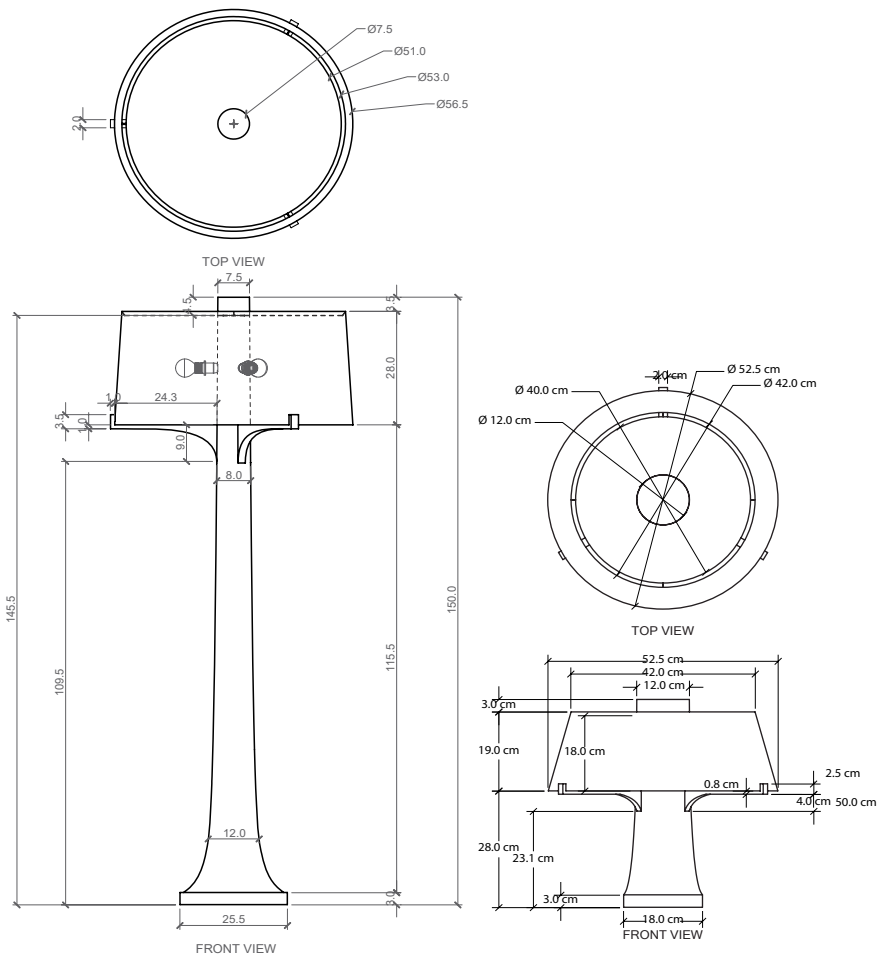


ELAN ATELIER



TREE LAMP
(SMALL)/
(LARGE)/
MUSE COLLECTION

DIMENSIONS /
DIA 52.5 cm (S)
56.5 cm (L)

H 50 cm (S)
150 cm (L)

MATERIALS /
BRONZE, SHADE: LINEN

DIA 20.7 in (S)
22.2 in (L)

H 19.7 in (S)
59 in (L)

STANDARD FINISH SHOWN /
DARK BRONZE

